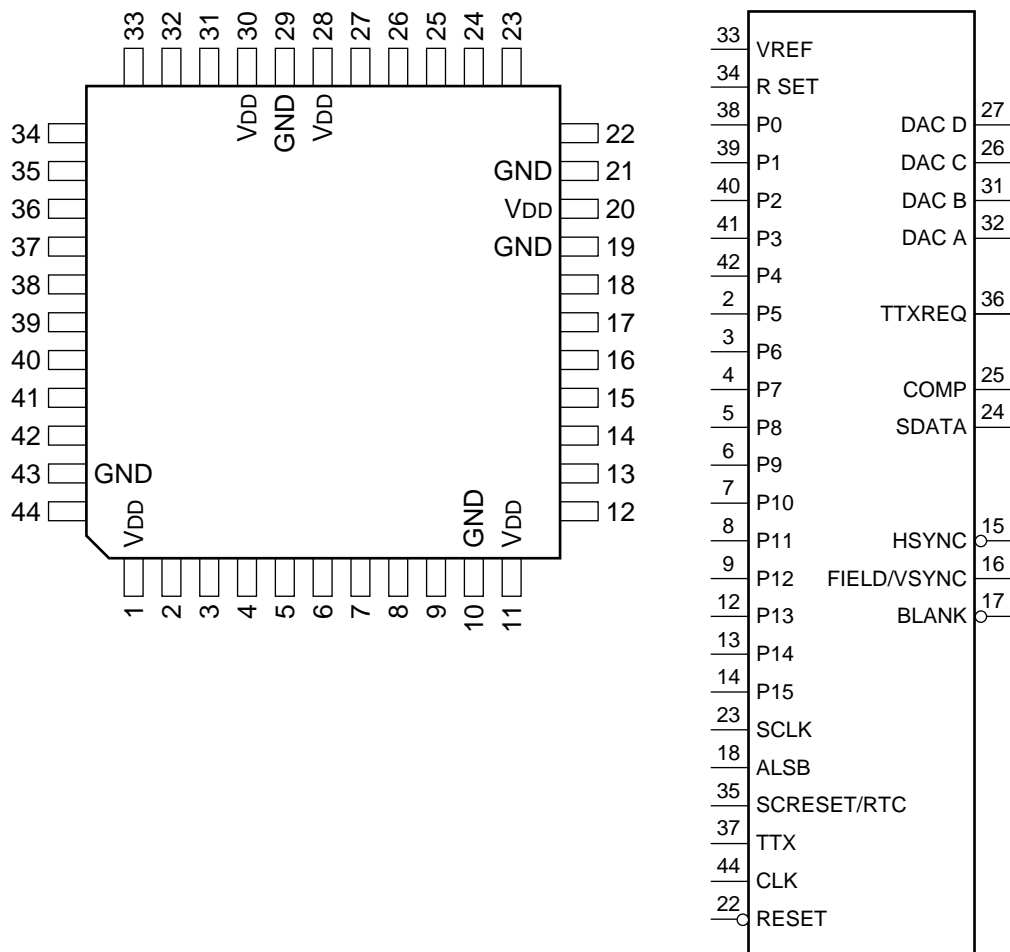


C-MOS 10-BIT Y/CR/CB TO PAL/NTSC VIDEO ENCODER

—TOP VIEW—



| PIN NO. | I/O | SIGNAL | PIN NO. | I/O | SIGNAL | PIN NO. | I/O | SIGNAL | PIN NO. | I/O | SIGNAL |
|---------|-----|--------|---------|-----|-------------|---------|-----|--------|---------|-----|-------------|
| 1 | — | VDD | 12 | I | P13 | 23 | I | SCLOCK | 34 | I | R SET |
| 2 | I | P5 | 13 | I | P14 | 24 | I/O | SDATA | 35 | I | SCRESET/RTC |
| 3 | I | P6 | 14 | I | P15 | 25 | O | COMP | 36 | O | TTXREQ |
| 4 | I | P7 | 15 | I/O | HSYNC | 26 | O | DAC C | 37 | I | TTX |
| 5 | I | P8 | 16 | I/O | FIELD/VSYNC | 27 | O | DAC D | 38 | I | P0 |
| 6 | I | P9 | 17 | I/O | BLANK | 28 | — | VDD | 39 | I | P1 |
| 7 | I | P10 | 18 | I | ALSB | 29 | — | GND | 40 | I | P2 |
| 8 | I | P11 | 19 | — | GND | 30 | — | VDD | 41 | I | P3 |
| 9 | I | P12 | 20 | — | VDD | 31 | O | DAC B | 42 | I | P4 |
| 10 | — | GND | 21 | — | GND | 32 | O | DAC A | 43 | — | GND |
| 11 | — | VDD | 22 | I | RESET | 33 | I/O | VREF | 44 | I | CLOCK |

INPUT

ALSB : LSB OF THE MPU ADDRESS SETUP SIGNAL
CLOCK : 27 MHz REFERENCE CLOCK
P15 - P0 : 8-BIT 4:2:2 MULTIPLEXED YCrCb PIXEL PORT (P7 - P0)
OR 16-BIT YCrCb PIXEL PORT (P15 - P0)
R SET : FULLSCALE AMPLITUDE
RESET : RESET
SCLOCK : MPU PORT SERIAL INTERFACE CLOCK
SCRESET/RTC : SUBCARRIER RESET/REAL TIME CONTROL
TTX : TELETEXT DATA

OUTPUT

COMP : COMPENSATION
DAC A : PAL/NTSC COMPOSITE VIDEO
DAC B : BLUE/COMPOSITE/U ANALOG SIGNAL
DAC C : RED/S-VHS C/V ANALOG SIGNAL
DAC D : GREEN/S-VHS Y/Y ANALOG SIGNAL
TTXREQ : TELETEXT DATA REQUEST

INPUT/OUTPUT

BLANK : VIDEO BLANKING CONTROL SIGNAL
FIELD/VSSYNC : FIELD AND V SYNC CONTROL SIGNAL
HSSYNC : H SYNC CONTROL SIGNAL
SDATA : MPU PORT SERIAL DATA
VREF : VOLTAGE REFERENCE

